

DCH-3000MX DVB Transport Stream Re-multiplexer

The DCH-3000MX is an 8-way cost-effective DVB re-multiplexer. It has 8 ASI input ports, 2 ASI output ports and can re-multiplex up to 8 MPTS or SPTS then generate a new MPTS. With the built-in DVB PSI/SI re-generator, DCH-3000MX provides on board transport stream processing such as PID remapping, program insertion and deletion. It is remotely controlled and supervised by SNMP based network management software on PC. Its flexible management and processing capabilities give the DCH-3000MX a wide range of application in digital TV broadcast system.



Main Feature

- Re-multiplexing of up to 8 Transport Streams
- Service or component based re-multiplexing
- 2 ASI outputs in mirror
- Flexible PSI/SI handling
- NIT, SDT, LCN edition, re-generation and insertion
- Remote Control and Supervision by SNMP and Proprietary HDMS software
- On Site software update through IP

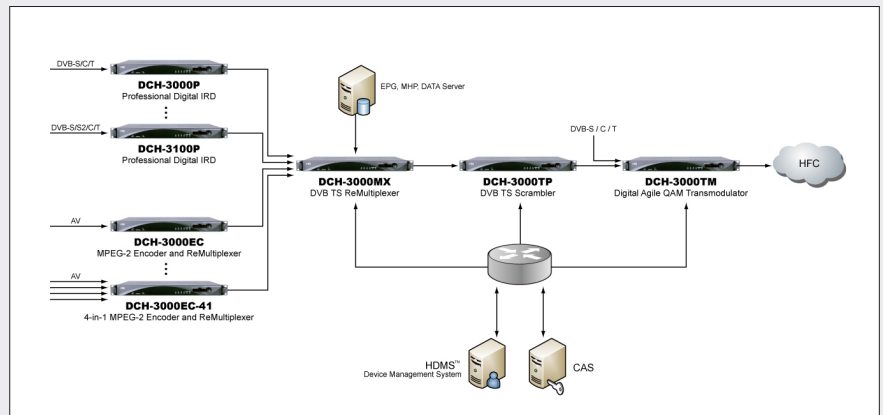
Multiplexing of up to 8 Transport Streams



Redundant ASI outputs



Remote Control and Supervision by SNMP and Proprietary HDMS software



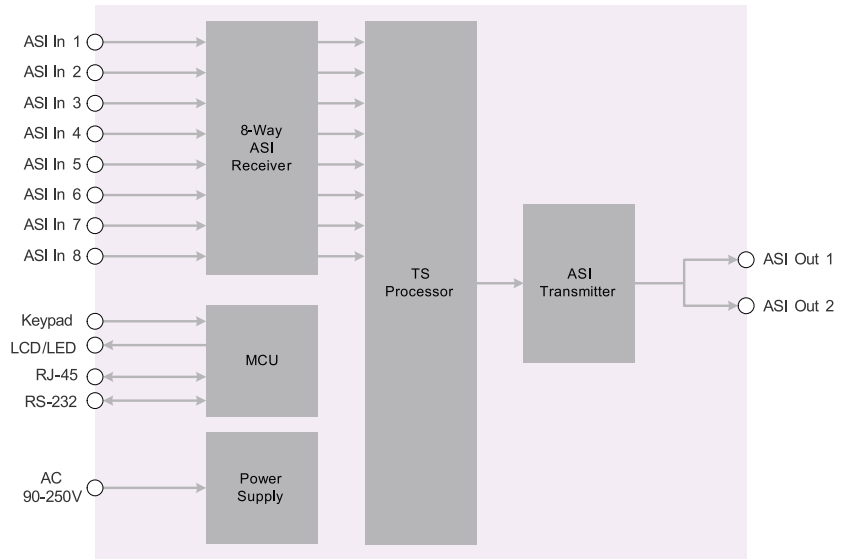
Specification

ASI Input	
Connector Type	8 × BNC Female, 75Ω
Input bit rate	≤ 206Mb/s
Data transmission mode	BYTE or BURST mode auto-detection
Packet Length	188 /204 bytes, auto-detection
Signal Level	200-800mVpp ± 10%
TS Processing	
TS Input Management	Re-multiplexing up to 8 DVB-ASI inputs
TS Output Management	2 ASI outputs in mirror
Service and PID management	Service or component based Remultiplexing, filtering and PID remapping
PSI/SI	PSI/SI table regeneration, NIT and SDT edition, LCN Edition and Re-generation
ASI Output	
Connector Type	2 × BNC Female, 75Ω
Output bit rate	≤ 108Mb/s
Data transmission mode	Byte
Packet Length	188 or 204 Bytes

Signal Level	200-800mVpp ± 10%
Control & Monitoring	
Connector Type	1 × RJ-45, 10/100 Base-T, for equipment IP Control
Remote Control	SNMP, Proprietary HDMS Network System Management Software
Local Control	LCD display and 6-key keypad
Serial Port	1 × RS-232 9-pin D-sub, for debug use only
Equipment Upgrade	FTP loader
Physical	
Dimension	44mm × 483mm × 340mm
Weight	3Kg Net, 4Kg Gross
Power Supply	AC 90V ~ 250V, 50/60Hz
Power Consumption	24W
Operating temperature	0 ~ 45°C
Storage temperature	-10 ~ 60°C
Operating Humidity	10 ~ 90%, non-condensed

Block Diagram

DCH-3000MX Functional Block Diagram



Back panel Interface

