

## DCH-2000AL DVB-ASI 1+1 Redundant Switch

DCH-2000AL is an 1+1 digital TV transport stream redundancy ASI switch with one primary port and one backup port. Up to 6 independent 1+1 switches are implemented in a 1RU chassis. In case of technical failure of the primary port, the ASI signal is automatically routed to the backup port. The switching condition is supervised by a comprehensive transport stream monitor that continuously analyzes the quality of incoming streams. It detects first the signal carrier then counts a number of consecutive sync bytes. Furthermore up to 8 PIDs in the coming TS can be set as switching condition. RF relay is used as switch that ensures rapid transition from primary port to secondary port with high performance and stability, DCH-2000AL is an ideal product for broadcast system redundancy.



### Main Feature

- Compatible with DVB-ASI (EN50083) standard
- Up to 6 independent 1+1 switching modules in 1RU 19" chassis
- Built-in real time transport stream monitoring
- Input and Output bit-rate up to 160 Mb/s on each switch module
- User-configurable automatic or manual switch mode
- Configurable switching condition TS sync and loss of PIDs
- Mechanical Bypass Relay to output in the event of power failure
- DC 12V backup power supply

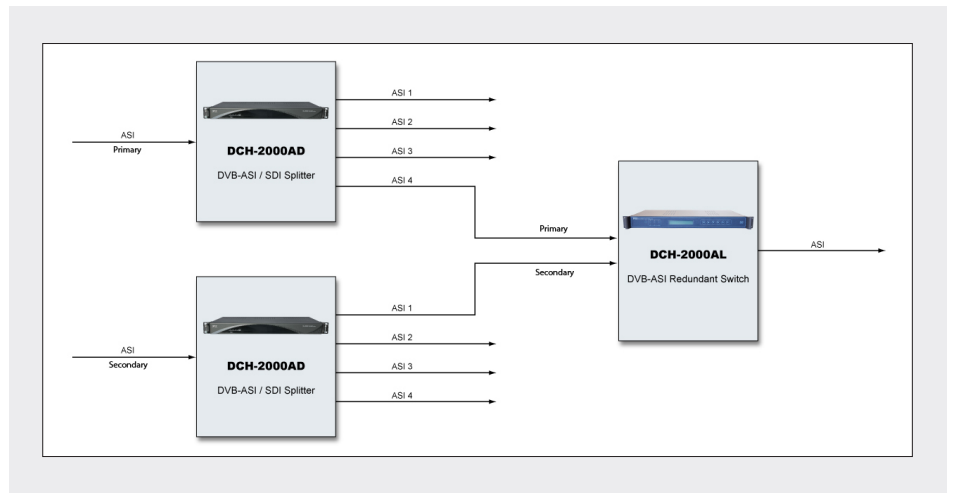
Switch to the back-up transport stream source automatically when problems occur



Up to 6 independent switch modules in 1RU 19" chassis



DC 12V backup power supply

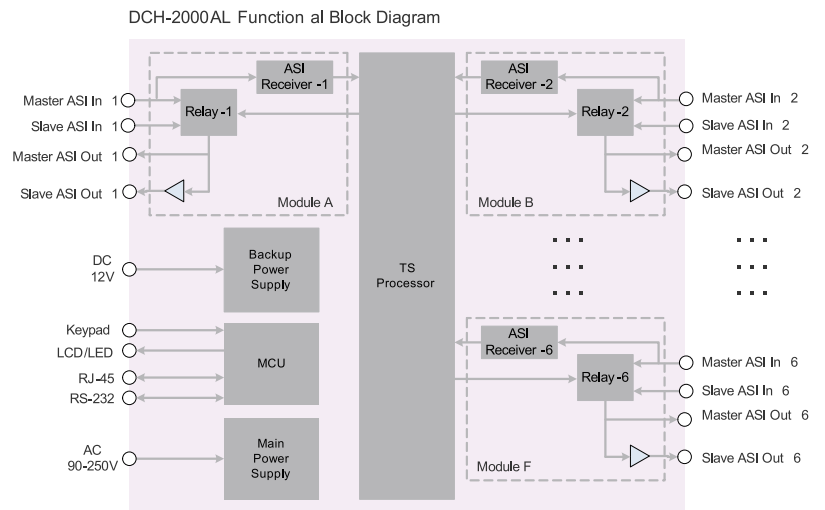


## Specification

<b>ASI Input</b>	
Input Interface	12 (6 primary, 6 secondary)
Connector Type	BNC, 75Ω
TS Bit Rate	< 160Mb/s
Packet Format	188 /204 byte packets, without RS code
<b>ASI Switching</b>	
Switching Mode	Primary/Secondary, Auto/Manual
Switching Condition	TS Sync Loss and up to 8 PID losses
Switching Time	< 300 ms
Power Failure Switching	Mechanical by pass rela
<b>ASI Output</b>	
Output Interface	12 (6 × 2 duplicated outputs)
Connector Type	BNC, 75Ω
TS Bit Rate	< 160Mb/s

Packet Format	188/ 204 byte packets, without RS code
<b>Control &amp; Monitoring</b>	
Connector Type	RS232 (DB-9), for PC configuration and software upgrade
Local Control	LCD display and 6-key keypad
LCD	2 × 10 characters LCD display
LED	7 (one for Power indicator, the others for switch status)
<b>Physical</b>	
Dimension	44mm × 483mm × 240mm
Weight	3.0Kg Net, 3.7Kg Gross
Power Supply	AC 90 ~ 260V , 50Hz/60Hz
Power Consumption	25 W (MAX)
Operating Temperature	0 ~ 45°C
Storage Temperature	-10 ~ 60°C
Operating Humidity	10 ~ 90%, non-condensed

## Block Diagram



## Back panel Interface

